



PARALLEL OPTICAL ZOOM STEREO MICROSCOPES

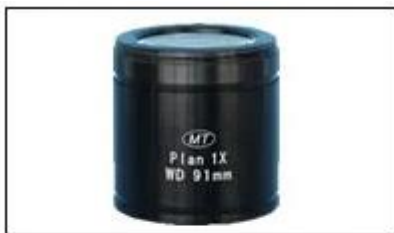
Description

Parallel Zoom Stereo Microscope, characterized by Galileo optical system.

Magnification range of zoom body is 0.8x-8.0x, magnification from high to low non-flash in focusing course, large depth of field, long working distance, has many kinds of attachments. It can be satisfied the demands of checking-up and analysis in modern biology, medicine, environment, farming, police, micro-electronics, semiconductors etc...

Features

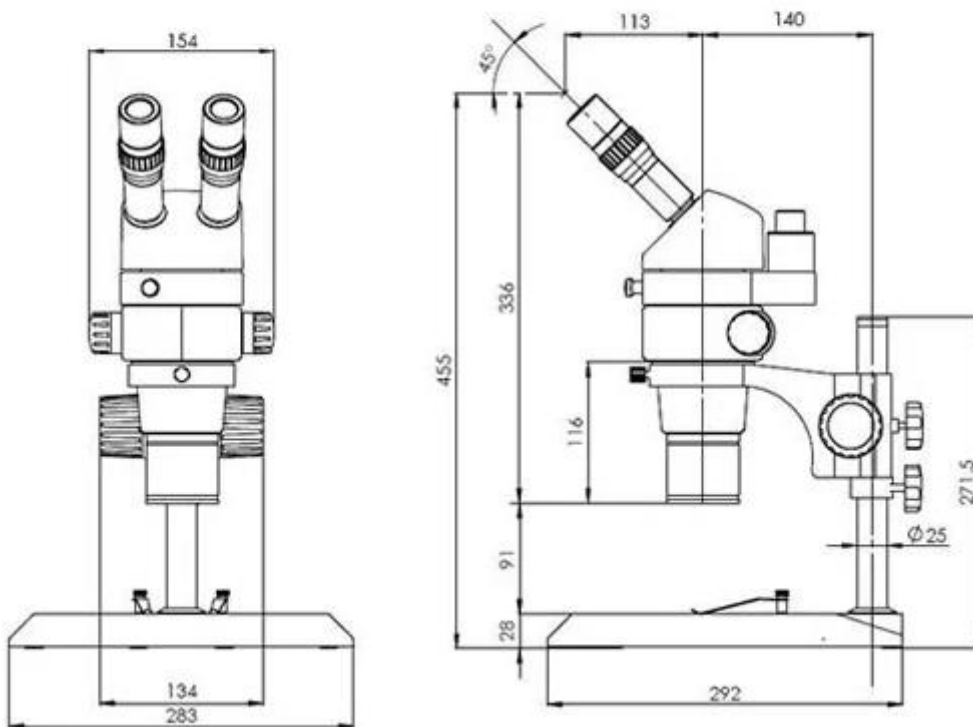
- Parallel zoom optical system 0.8x-8.0x, working distance 91mm.
- Zoom magnification 8x-80x(standard), extend total magnification: 4x-360x
- Plan distortion-free objective 1x
- High eye point and wide field eyepiece SWH10X(Φ23mm)
- Binocular/ Trinocular head inclined 45°, rotatable 360°, dioptre adjustable ±6
- Head interpupillary distance of head adjustable from 52mm to 76mm



1x Plan Distortion-free Objective



Trinocular Head Part



| Eyepiece | Item | Specification of different auxiliary objective | | | |
|----------|------------|--|----------------|----------------|----------------|
| | | 0.5x | 0.7x | 1x | 1.5x |
| 10X | Total Mag. | 4X - 40X | 5.6X - 56X | 8X - 80X | 12X - 120X |
| | FOV (mm) | Ø55 - Ø5.5 | Ø39.3 - Ø3.93 | Ø27.5 - Ø2.75 | Ø18.33 - Ø1.83 |
| 15X | Total Mag. | 6X - 60X | 8.4X - 84X | 12X - 120X | 18X - 180X |
| | FOV (mm) | Ø42.5 - Ø4.25 | Ø30.36 - Ø3.04 | Ø21.25 - Ø2.13 | Ø14.17 - Ø1.42 |
| 20X | Total Mag. | 8X - 80X | 11.2X - 112X | 16X - 160X | 24X - 240X |
| | FOV (mm) | Ø35 - Ø3.5 | Ø25 - Ø2.5 | Ø17.5X - Ø1.75 | Ø11.67 - Ø1.17 |
| 30X | Total Mag. | 12X - 120X | 16.8X - 168X | 24X - 240X | 36X - 360X |
| | FOV (mm) | Ø22.5 - Ø2.25 | Ø16.1 - Ø1.61 | Ø11.25 - Ø1.13 | Ø7.5 - Ø0.75 |
| WD (mm) | | 186 | 135 | 91 | 40 |

Specification

| | |
|---|---|
| Model No. | SLV-SZ80 |
| Zoom driver | Parallel optical system, 0.8X – 8X zoom body |
| Magnification | Standard total magnification: 8X – 80X, the max. Magnification 360X |
| Eyepiece | High eye point and wide field eyepiece 10X, Ø22mm |
| Objective | 1X Plane Objective |
| Working distance | 91mm |
| Interpupillary distance adjustment range (10X eyepiece) | 52mm – 76mm |
| Diopter Adjustment range | +/-6 Diopter |
| Focus Range | 50mm (Track stand 100mm) |
| Binocular eyetubes | Inclined 45* |
| The holder and the center of the pole and the center of the holder | Ø76mm |
| Distance between the holder center of the pole and the center of the holder | 140mm |
| Diometer of the pole | Ø25mm |
| Diometer of the center working stage | Ø95mm |

